



*Protective Roses
for armoured door locks*



Protective Roses for armoured door locks

Clearly visible from the outside, they act as effective deterrents against burglars and actual shields all around the cylinder, protecting it from being reached by forcing tools. The products in this range are available in different finishes to match different door types.

SECURITY

- Drill resistant
 - carbonitrided steel body and rotor.
- Pull resistant
 - fixing through-bolts
 - anti-grip rose shape
 - bayonet (quick) coupling (series 06485).

EASY INSTALLATION

- Built-in cylinder protrusion compensator (only for protective roses item 06460.50/51/60/61).
- Zinc plated steel anti-crushing plates to preserve the lock correct operation.
- Series 06480 and 06485 modular versions available (body + cap + cover plate).

COMPATIBILITY

- Locks with 38 mm distance DIN holes.

Technical features:

- Carbonitrided steel single block body.
- Forged carbonitrided steel body (item 06460.50/51/60/61).
- Polished chrome carbonitrided steel rotor.
- M6 through screws.
- Quick coupling on door frame for item series 06485.

Standard accessories:

- Fixing screws.

Available finishes:

- Polished brass (fin. 00).
- Polished chrome (fin. 18).
- Shotgun gray (fin. 46).
- Anodized dark bronze (fig. 64).
- Anodized light bronze (fin. 65).
- Satin finished nickel chrome plated (fin. B1).

Optional accessories:

- Inside escutcheons series 06458; 06473.
- Zinc plated anti-crushing plates.
- Nickel-plated steel screws (in other lengths than standard supply).
- Cover plate ring (for item series 06480/85).
- Mounting plates series 06429.
- Zinc plated steel spacer.

Modular finishes



Single block body



Cap



Cover plate

The modular design of CISA protective roses enables to install matching finish roses even after door construction completion.

Modular finishes



fin. 00
polished brass



fin. 64
anodized dark bronze



fin. 65
anodized light bronze



fin. 46
shotgun gray



fin. 18
polished chrome



fin. B1
satin finished nickel chrome plated






HOW TO CHOOSE A PROTECTIVE ROSE

Choosing the right protective rose for your door is easy! CISA has prepared a special guide to choosing protective roses according to types and cylinders. For more protective rose technical details, check the following pages.

PROTECTIVE ROSE FOR EUROPEAN PROFILE CYLINDER SERIES

TYPE OF DOOR	CYLINDER LOCK	06460		06461		06480		06485	
		50/51	60/61	50/51	60/61	00/01/02 20/21/22	10/11/12 30/31/32	00/01/02 20/21/22	50/51/52 70/71/72
ARMOURED	56000/15000								
	B6000								
	B6700 DT								
	56700 DT								
CYLINDER SERIES	C2000								
	C2000 gr								
	Asix								
	Astral (CL)								
	Astral (CL) gr								
	SP (CL)								
	SP (CL) gr								
	TSP (CL)								
	TSP (CL) gr								
	AP3								
	AP3 gr								
	RS3 (CL)								
	RS3 (CL) gr								

-  Rose/lock compatibility
-  Rose/cylinder compatibility
-  Rose/lock/cylinder compatibility

Key to abbreviations

- DT = double lock
- Gr = adjustable cam
- CL = long neck key

Type	Description	For series/item	L	Kg Unit weight	Pieces	ITEM				
						Type	Dim.	Hand	Fin.	Pers.
	<ul style="list-style-type: none"> Carbonitrided steel protective rose, polished brass finish 2 L 45 mm screws (M6) AVAILABLE FINISHES: <ul style="list-style-type: none"> -Anodized light bronze (fin. 64) -Anodized dark bronze (fin. 65) -Polished chrome (fin 18) 	0A310, 0B310, 08310, 08710	45,0	0,200	1	1	06460	40	0	
	<ul style="list-style-type: none"> Carbonitrided steel protective rose, polished brass finish 2 screws (M6) AVAILABLE FINISHES: <ul style="list-style-type: none"> -Anodized light bronze (fin. 64) -Anodized dark bronze (fin. 65) -Polished chrome (fin 18) 	0A310, 0B310, 08310, 08710	70,0	0,310	1	1	06460	50	0	
		0A310, 0B310, 08310, 08710	110,0	0,320	1	1	06460	51	0	
		08810, 08815	70,0	0,310	1	1	06460	60	0	
		08810, 08815	110,0	0,340	1	1	06460	61	0	
		0A317, 0B317	70,0	0,335	1	1	06461	50	0	
		0A317, 0B317	110,0	0,325	1	1	06461	51	0	
		08881, 08887	70,0	0,200	1	1	06461	60	0	
		08881, 08887	110,0	0,325	1	1	06461	61	0	
	<ul style="list-style-type: none"> Carbonitrided steel outside protective rose 2 L 45 mm screws (M6) 	0A310, 0B310	16,0	0,380	6	1	06480	00	0	
		0A310, 0B310	24,5	0,482	6	1	06480	01	0	
		0A310, 0B310	34,5	0,594	6	1	06480	02	0	
		0A310, 0B310	16,0	0,594	30	1	06480	20	0	
		0A310, 0B310	24,5	0,594	30	1	06480	21	0	
		0A310, 0B310	34,5	0,594	30	1	06480	22	0	
		08810, 08815	16,0	0,380	6	1	06480	10	0	
		08810, 08815	24,5	0,478	6	1	06480	11	0	
		08810, 08815	34,5	0,596	6	1	06480	12	0	
	<ul style="list-style-type: none"> Carbonitrided steel outside protective rose body with three-lobe quick coupling 2 L 45 mm screws (M6) 	0A310, 0B310	16,0	0,378	6	1	06485	00	0	
		0A310, 0B310	24,5	0,482	6	1	06485	01	0	
		0A310, 0B310	34,5	0,594	6	1	06485	02	0	
		0A310, 0B310	16,0	0,594	30	1	06485	20	0	
		0A310, 0B310	24,5	0,594	30	1	06485	21	0	
		0A310, 0B310	34,5	0,594	30	1	06485	22	0	

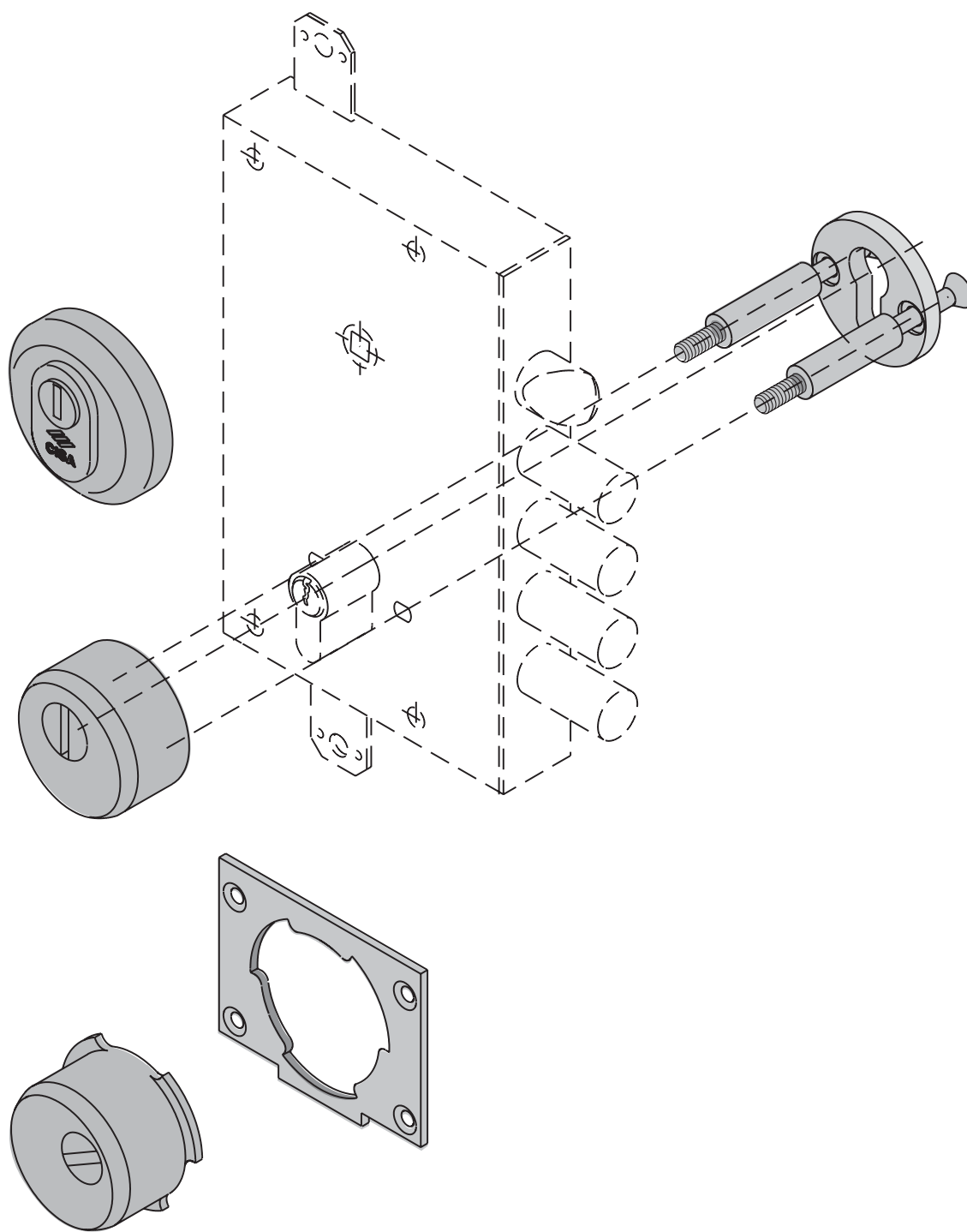
Type	Description	For series/item	L	Unit weight Kg	Pieces	ITEM				
						Type	Dim.	Hand	Fin.	Pers.
	<ul style="list-style-type: none"> • Cap for protective rose body • AVAILABLE FINISHES: <ul style="list-style-type: none"> -Polished brass (fin. 00) -Polished chrome (fin. 18) -Shotgun gray (fin. 46) -Anodized dark bronze (fin. 64) -Anodized light bronze (fin. 65) -Satin finished nickel chrome plated (fin. B1) 	06480,	-	0,005	6	1	06483	00	0	
		06485,	-	0,005	30	1	06483	20	0	
	<ul style="list-style-type: none"> • Cover plate ring • AVAILABLE FINISHES: <ul style="list-style-type: none"> -Polished brass (fin. 00) -Polished chrome (fin. 18) -Shotgun gray (fin. 46) -Anodized dark bronze (fin. 64) -Anodized light bronze (fin. 65) -Satin finished nickel chrome plated (fin. B1) 	06480, 06485,	-	0,030	6	1	06483	60	0	
		06480, 06485,	-	0,030	30	1	06483	80	0	
	<ul style="list-style-type: none"> • Cover plate ring • AVAILABLE FINISHES: <ul style="list-style-type: none"> -Polished brass (fin. 00) -Polished chrome (fin. 18) -Shotgun gray (fin. 46) -Anodized dark bronze (fin. 64) -Anodized light bronze (fin. 65) -Satin finished nickel chrome plated (fin. B1) 	06480, 06485,	-	0,045	6	1	06483	61	0	
		06480, 06485,	-	0,045	30	1	06483	81	0	
	<ul style="list-style-type: none"> • Nickel plated steel screw 	06460, 06461,	50,0	0,010	25	1	06047	50	0	
		06480								
		06460, 06461,	105,0	0,020	25	1	06047	51	0	
	<ul style="list-style-type: none"> • Pair of nickel plated steel screws 	06480	45,0	0,020	30	1	06047	80	0	
	<ul style="list-style-type: none"> • Polished brass inside escutcheon to match European profile cylinders on lock series 15000, 56000 • AVAILABLE FINISHES: <ul style="list-style-type: none"> -Anodized dark brown (fin. 58) -Anodized light bronze (fin. 65) -Anodized dark bronze (fin. 64) -Polished chrome (fin. 18) 			0,035	12	1	06458	10	0	

Type	Description	For series/item	L	Kg	Pieces	ITEM				
						Type	Dim.	Hand	Fin.	Pers.
	<ul style="list-style-type: none"> Polished brass inside escutcheon to match European profile cylinders with adjustable knob on lock series 15000, 56000 AVAILABLE FINISHES: <ul style="list-style-type: none"> -Anodized dark brown (fin. 58) -Anodized light bronze (fin. 65) -Anodized dark bronze (fin. 64) -Polished chrome (fin. 18) 	0A317, 0B317	-	0,037	12	1	06458	20	0	
	<ul style="list-style-type: none"> Carbonitrided steel projection rotor for roses series 06460, 06461 	0A310, 0B310 08810, 08815	- -	0,009 0,009	50 50	1	06466	01	0	
	<ul style="list-style-type: none"> Polished chrome carbonitrided steel rotor to install with roses series 06480, 06485 	0A310, 0B310 08810, 08815	- -	0,016 0,016	50 50	1	06472	00	0	
	<ul style="list-style-type: none"> 2 mm zinc plated spacer for protective roses 	06480	-	0,016	25	1	06472	40	0	
	<ul style="list-style-type: none"> Pair of zinc plated anti-crushing plates 	06480 06485	40 80	0,025 0,025	25 25	1	06472	50	0	
	<ul style="list-style-type: none"> Inside escutcheon AVAILABLE FINISHES: <ul style="list-style-type: none"> -Polished brass (fin. 00) -Polished chrome (fin. 18) -Shotgun gray (fin. 46) -Anodized light bronze (fin. 65) -Anodized dark bronze (fin. 64) -Satin finished nickel chrome plated (fin. B1) 	06460, 06461, 06480, 06485	-	0,116	12	1	06473	00	0	
	<ul style="list-style-type: none"> Inside escutcheon for cylinder series 0A317 and 0B317 AVAILABLE FINISHES: <ul style="list-style-type: none"> -Polished brass (fin. 00) -Polished chrome (fin. 18) -Shotgun gray (fin. 46) -Anodized light bronze (fin. 65) -Anodized dark bronze (fin. 64) -Satin finished nickel chrome plated (fin. B1) 	06060, 06461, 06480, 06485	-	0,120	12	1	06473	10	0	

Type	Description	For series/item	L	Unit weight Pieces	ITEM						
					Type	Dim.	Hand	Fin.	Pers.	Spec.	
Mounting plates for locks											
	<ul style="list-style-type: none"> • Steel welding plate • For double bitted key locks 	57000	-	0,660	1	1 06429 00 0					
	<ul style="list-style-type: none"> • Steel welding plate • For cylinder and double bitted key locks 	56000, 57000	-	0,552	12	1 06429 05 0					
	<ul style="list-style-type: none"> • Steel welding plate to install protective roses series 06485 	15000, 56000	-	0,552	12	1 06429 06 0					
	<ul style="list-style-type: none"> • Steel welding plate • For cylinder and double bitted key locks 	B6515, B7515	-	0,650	1	1 06429 10 0					
	<ul style="list-style-type: none"> • Steel welding plate • For double locks 	56700, 57700, 57900	-	0,695	12	1 06429 15 0					

Type	Description	For series/item	L	Unit weight Pieces	ITEM					
					Type	Dim.	Hand	Fin.	Pers.	Spec.
	<ul style="list-style-type: none"> Steel welding plate to install protective roses series 06485 	56765, 56766, 56767, 56768, 56785, 56786, 56787, 56788	-	0,950	12	1 06429 16 0				
	<ul style="list-style-type: none"> Steel welding plate to install protective roses series 06485 	56715, 56716, 56735, 56736	-	0,950	12	1 06429 18 0				
	<ul style="list-style-type: none"> Steel welding plate to install protective roses series 06485 	57765, 57766, 57785, 57786, 57787, 57915, 57916, 57917, 57935, 57936, 57937, 57965, 57966, 57967, 57985, 57986, 57987	-	0,950	12	1 06429 20 0				
	<ul style="list-style-type: none"> Manganese steel drill protector For cylinder locks Can be coupled to welding plates 	1 06429 05 0 1 06429 10 0 1 06429 15 0 1 06429 18 0 1 06429 19 0 1 06429 20 0 1 06429 21 0	-	0,075	12	1 06429 51 0				

CISA protective rose assembly diagram for installation with armoured door locks.





Ingersoll Rand's Security Technologies Sector is a leading global provider of products and services that make environments safe, secure and productive. The sector's market-leading products include electronic and biometric access-control systems; time-and-attendance and personnel scheduling systems; mechanical locks; portable security; door closers, exit devices, architectural hardware, and steel doors and frames; and other technologies and services for global security markets.

www.ingersollrand.com

CISA SpA
Via Oberdan, 42
48018 Faenza (RA) Italy
Tel. +39 0546 677111
Fax +39 0546 677150
www.cisa.com