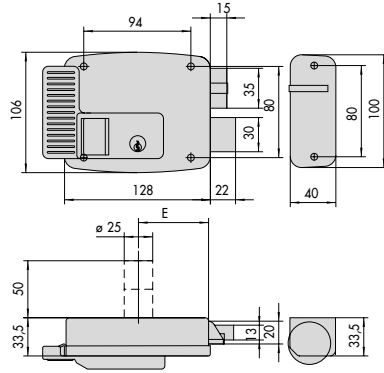
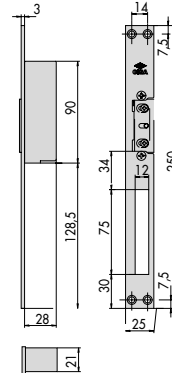


**1.11540.40, 1.11560.40**



**11660, 11661, 11670, 11761, 11671, 11771**

E = 50 - 60 - 70 - 80

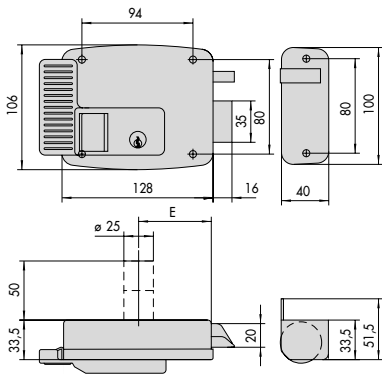


**1.15001.00**

**1**

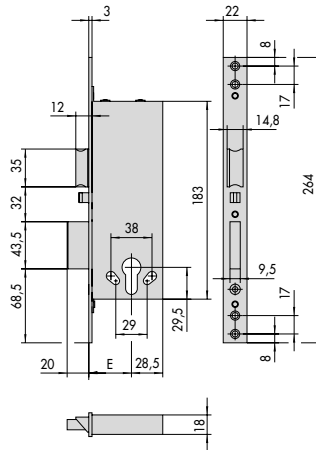
**4**

**7**



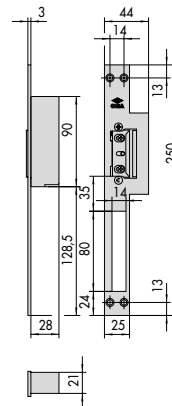
**11610, 11611, 11630, 11635**

E = 50 - 60 - 70 - 80



**12010, 12011, 12015, 12016**

E = 40 - 50 - 60 - 70

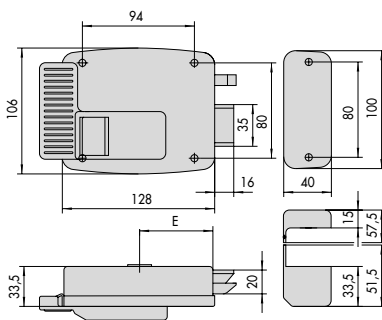


**1.15002.00**

**2**

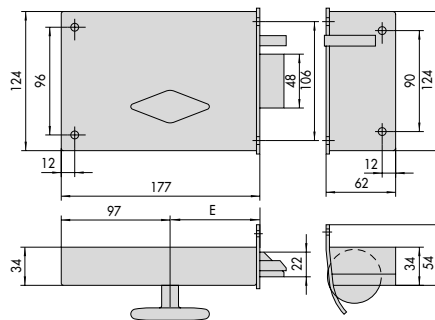
**5**

**8**



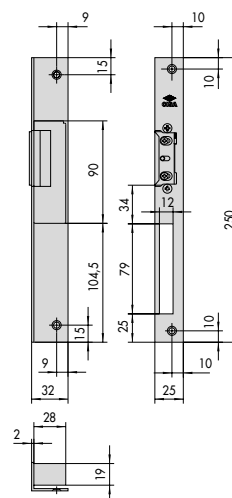
**11610**

E = 50 - 60 - 70 - 80



**13010**

E = 60 - 70 - 80 - 90 - 100 - 110 - 120

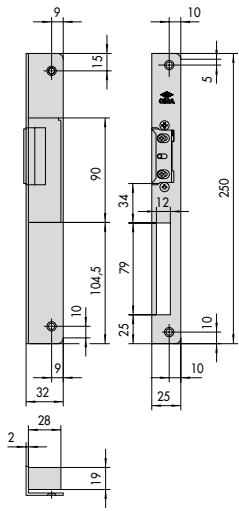


**1.15003.00**

**3**

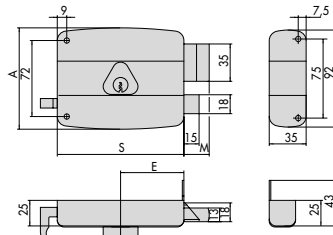
**6**

**9**

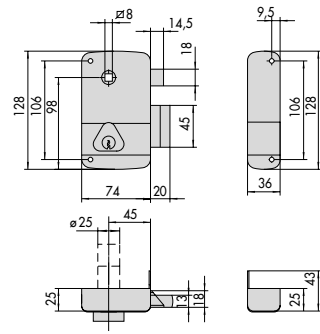


1.15004.00

10

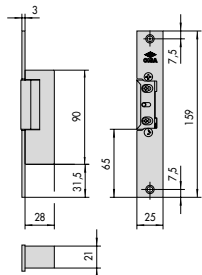


	E	S	A	M		E	S	A	M
1.50110.40	40	80	94	24	1.50126.50	50	100	95	33
1.50110.50	50	100	95	24	1.50126.60	60	120	96	33
1.50110.60	60	120	96	24	1.50126.70	70	140	97	33
1.50110.70	70	140	97	24	1.50161.40	40	80	94	24
1.50111.40	40	80	94	24	1.50161.50	50	100	95	24
1.50111.50	50	100	95	24	1.50161.60	60	120	96	24
1.50111.60	60	120	96	24	1.50161.70	70	140	97	24
1.50111.70	70	140	97	24	1.50320.40	40	80	94	24
1.50115.50	50	100	95	33	1.50320.50	50	100	95	24
1.50115.60	60	120	96	33	1.50320.60	60	120	96	24
1.50115.70	70	140	97	33	1.50320.70	70	140	97	24
1.50120.40	40	80	94	24	1.50321.40	40	80	94	24
1.50120.50	50	100	95	24	1.50321.50	50	100	95	24
1.50120.60	60	120	96	24	1.50321.60	60	120	96	24
1.50120.70	70	140	97	24	1.50321.70	70	140	97	24
1.50121.40	40	80	94	24	1.50330.40	40	80	94	24
1.50121.50	50	100	95	24	1.50330.50	50	100	95	24
1.50121.60	60	120	96	24	1.50330.60	60	120	96	24
1.50121.70	70	140	97	24	1.50330.70	70	140	97	24
1.50125.50	50	100	95	33	1.50340.40	40	80	94	24
1.50125.60	60	120	96	33	1.50340.50	50	100	95	24
1.50125.70	70	140	97	33	1.50340.60	60	120	96	24
					1.50340.70	70	140	97	24



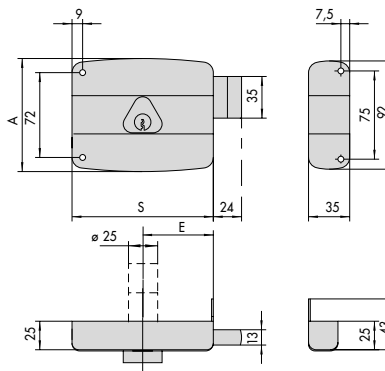
1.50210.45, 1.50211.45

16



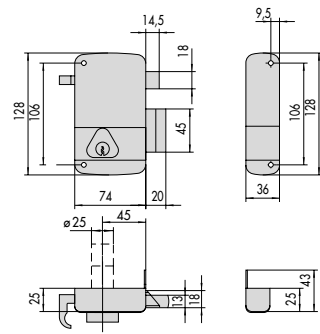
1.15005.00

11



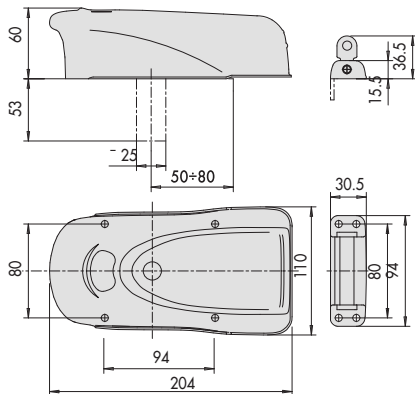
	E	S	A		E	S	A
1.50130.40	40	80	94	1.50141.40	40	80	94
1.50130.50	50	100	95	1.50141.50	50	100	95
1.50130.60	60	120	96	1.50141.60	60	120	96
1.50130.70	70	140	97	1.50141.70	70	140	97
1.50131.40	40	80	94				
1.50131.50	50	100	95				
1.50131.60	60	120	96				
1.50131.70	70	140	97				

13



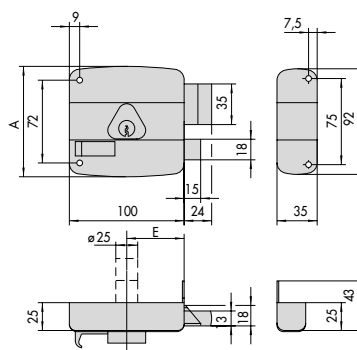
1.50220.45, 1.50221.45

17



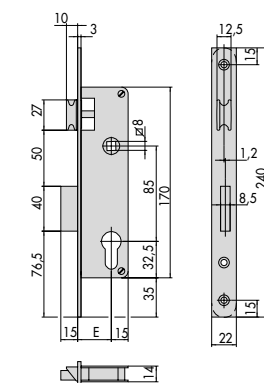
1A610, 1A611, 1A630, 1A631, 1A721, 1A731

12



	E	S	A
1.50160.40	40	80	94
1.50160.50	50	100	95
1.50160.60	60	120	96
1.50160.70	70	140	97

14



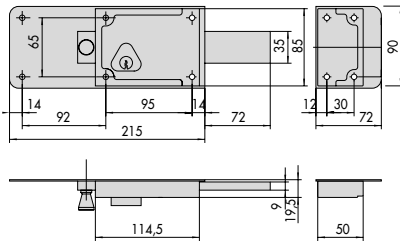
52010, 52011,  
52031  
E = 21 - 25 - 30

15

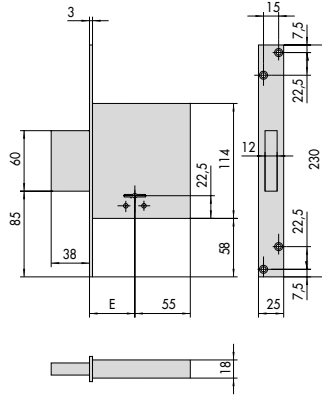
18



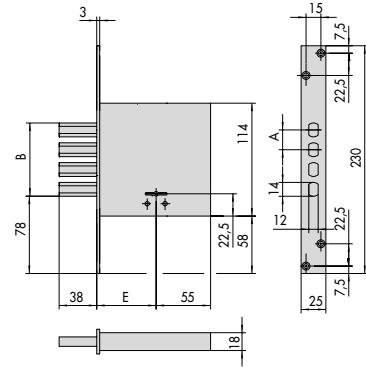




1.55061.55, 1.55064.55, 1.55081.55, 1.55084.55



57010, 57014    57050  
E = 52 - 60 - 70    E = 52 - 60

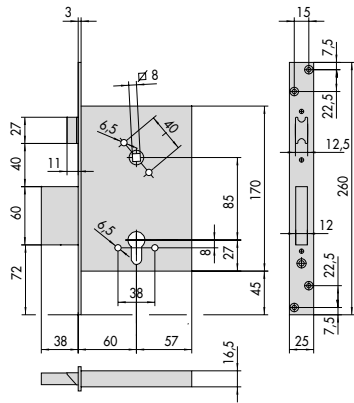


	E	A	B
1.57028.50	52	23	60
1.57028.60	60	20	74

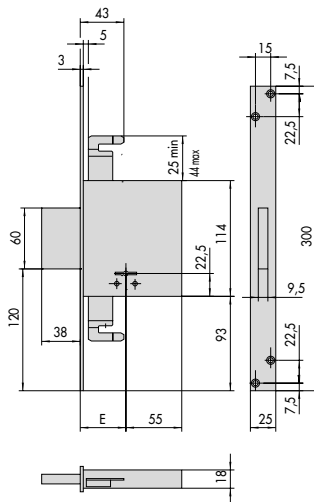
**37**

**40**

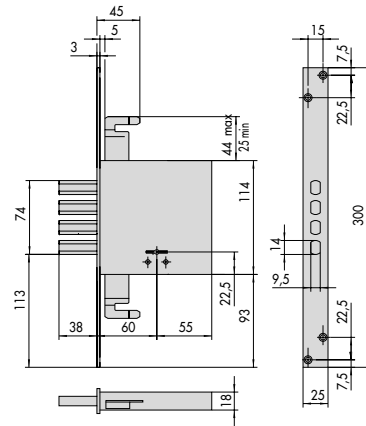
**43**



1.56250.60



57015, 57019    1.57055.60  
E = 60 - 70    E = 60

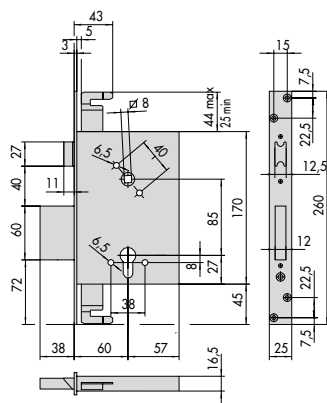


1.57033.60

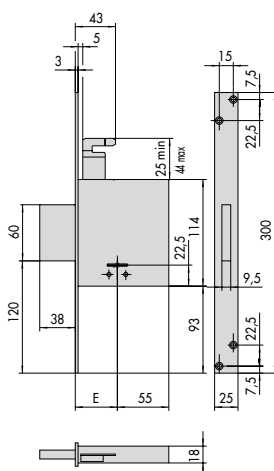
**38**

**41**

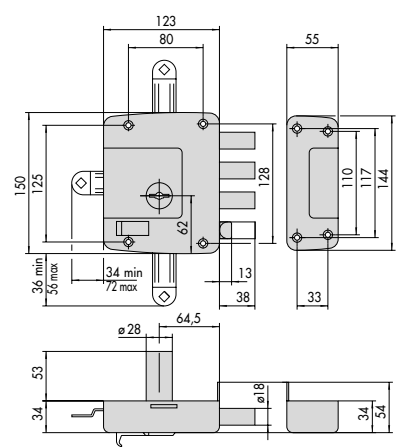
**44**



1.56255.60



57020, 57024  
E = 60 - 70

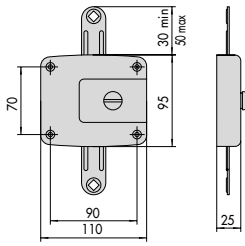


1.57110.60, 1.57115.60, 1.57120.60, 1.57125.60,  
1.57130.60, 1.57135.60, 1.57150.60, 1.57155.60,  
1.57160.60, 1.57165.60, 1.57170.60, 1.57175.60

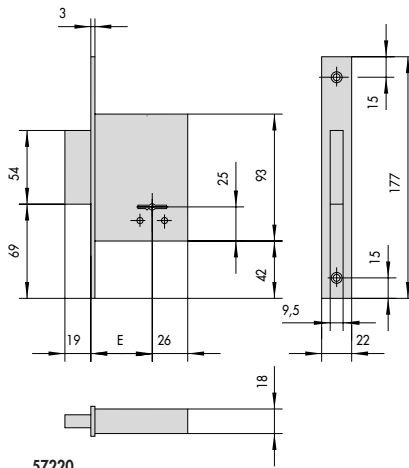
**39**

**42**

**45**

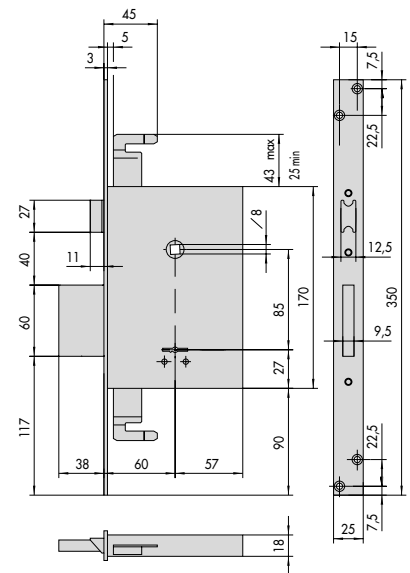


1.57190.00



57220

E = 40 - 45 - 50 - 60

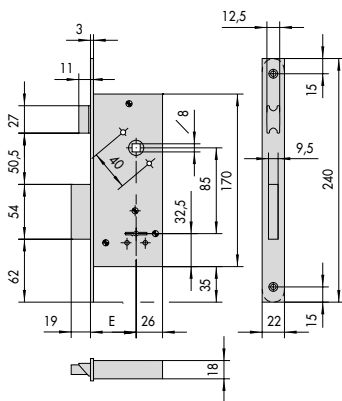


57255, 57259

**46**

**49**

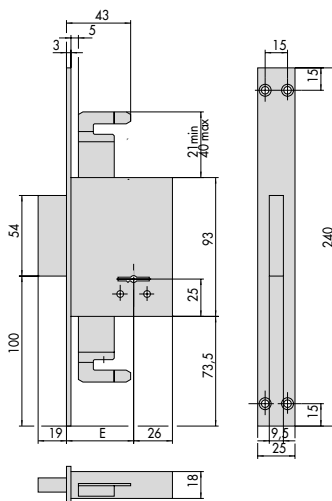
**52**



57210

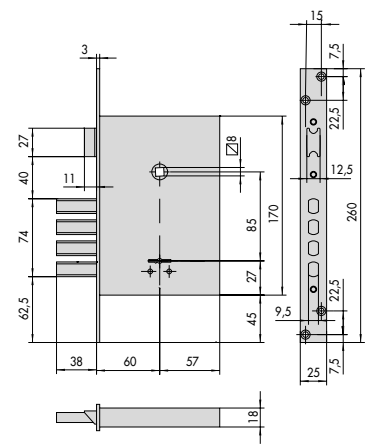
57211

E = 40 - 45 - 50 - 60



57225

E = 45 - 50 - 60

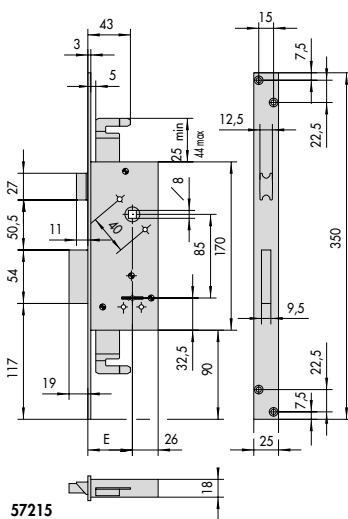


57260

**47**

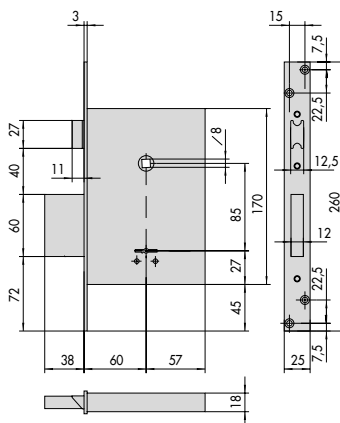
**50**

**53**

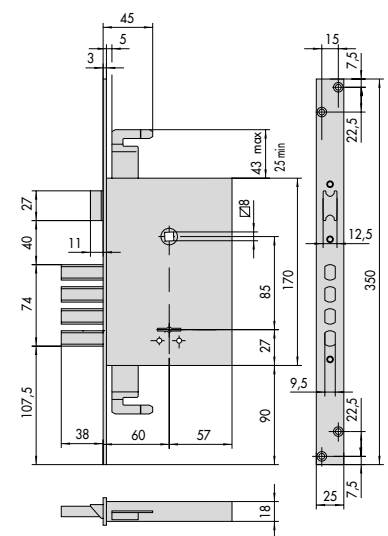


57215

E = 45 - 50 - 60



57250, 57254

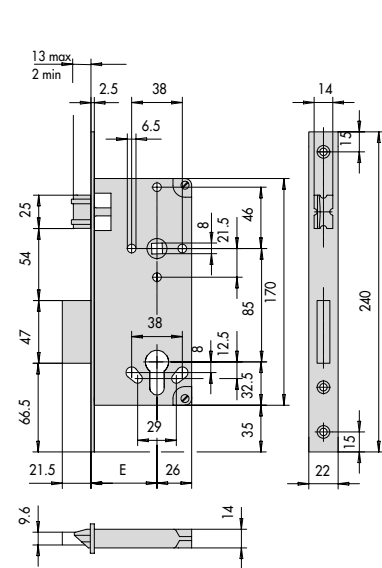


57265

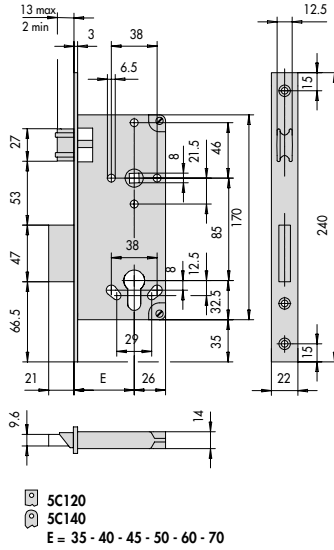
**48**

**51**

**54**



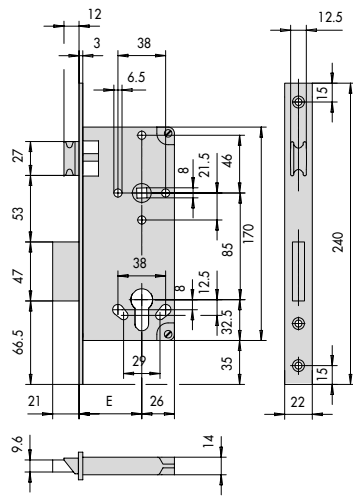
5C621  
5C641  
E = 35 - 40 - 45 - 50 - 60 - 70



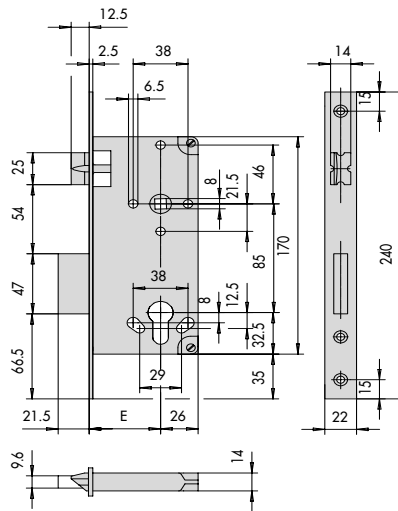
5C120  
5C140  
E = 35 - 40 - 45 - 50 - 60 - 70

**55**

**57**



5C110, 5C150  
5C130, 5C170  
E = 35 - 40 - 45 - 50 - 60 - 70



5C611, 5C651  
5C631, 5C671  
E = 35 - 40 - 45 - 50 - 60 - 70

**56**

**58**